



ALC601

Model: ALC601

Category: single point load cell

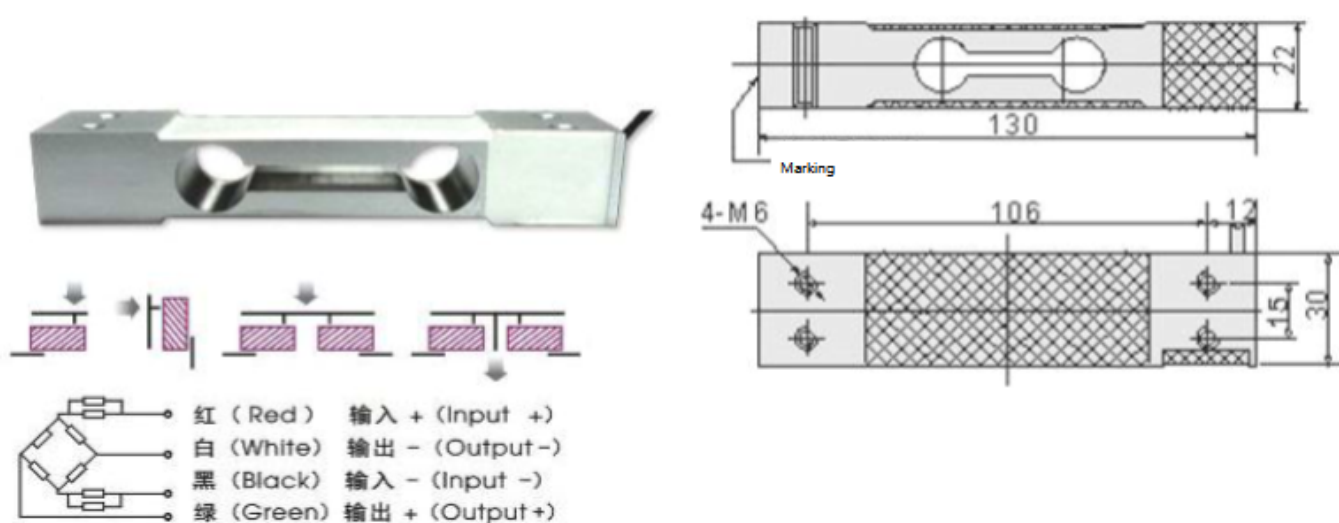
Range: 3kg, 5kg, 6kg, 10kg, 15kg, 20kg, 30kg, 40kg, 50kg, 60kg, 100kg, 120kg

Dimension: 130*30*22mm

Material: Alloy aluminum

Application: Platform scale, pricing scale, electronic scale, kitchen scale,

Characteristic: Platform scale load cell, pricing scale load cell



Specification

Comprehensive error:	0.017%FS	Output resistance:	405±10Ω
Rated output:	2±0.1mv/v	Insulation resistance:	≥5000MΩ(100VDC)
Non-linearity:	0.017%FS	Excitation voltage:	9~12VDC
Hysteresis:	0.02%FS	Compensated temp:	-10~+40°C
Repeatability:	0.01%FS	Use temperature:	-20~+60°C
Creep:	0.017%FS/30MIN,	Temp effect on zero:	0.017% and 0.03%FS/10°C
Zero balance:	±1%FS	Temp effect on span:	0.014% and 0.02%FS/10°C
Input resistance:	405±10Ω	Defend grade:	IP65